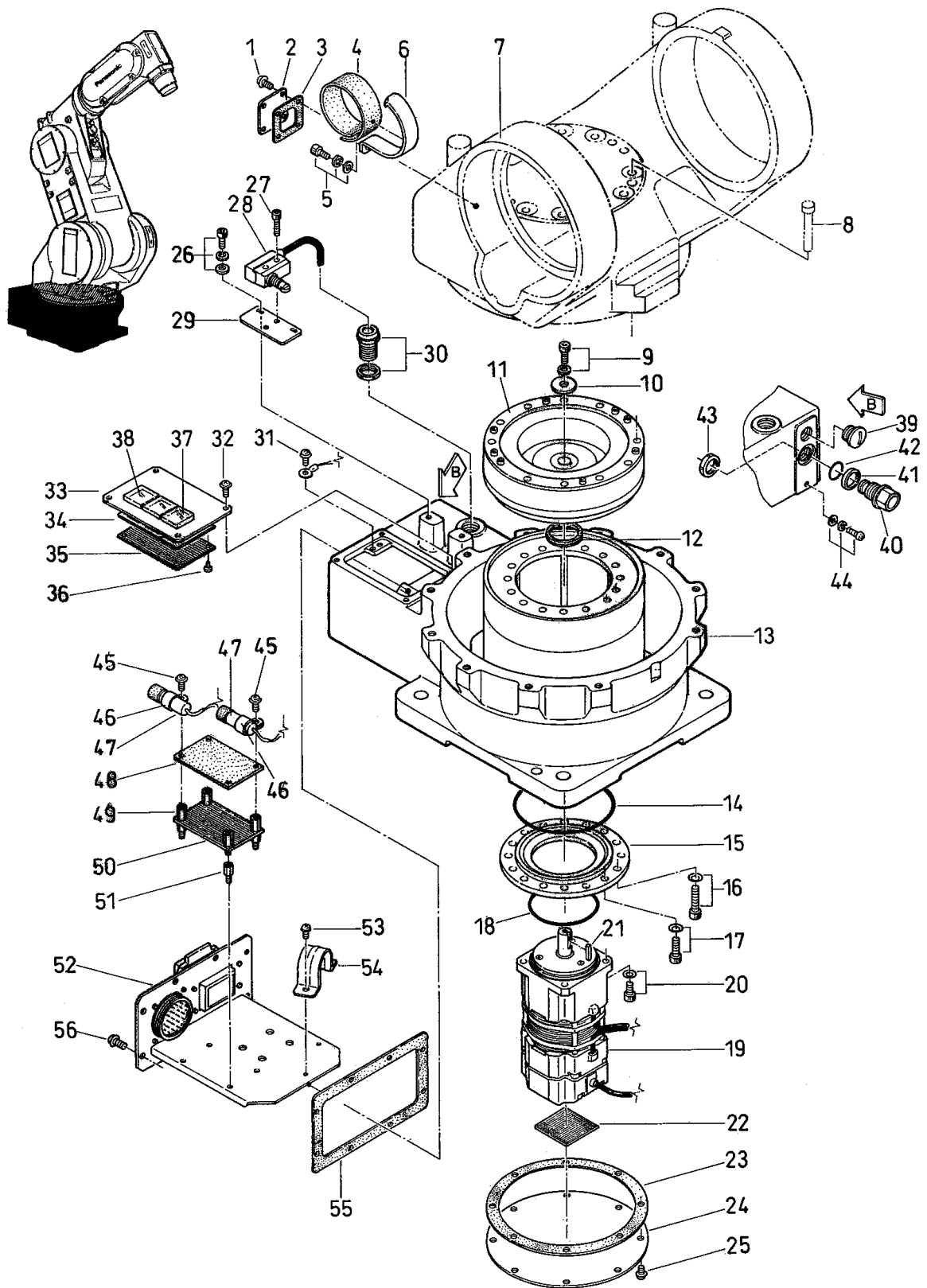


# CONFIGURATION

2.1.4. RT axis: Exploded diagram (for YA-1MMR41U\*\*, YA-1MMR41E\*\*)



## CONFIGURATION

### 2.1.5. RT axis: Parts list (for YA-1MMR41U\*\*, YA-1MMR41E\*\*)

(1/2)

No.	Part name	Part number	Q'ty	Remarks
1	Screw	XYN4+F10S	4	M4×10
2	RT harness cover	ADK40041	1	
3	Packing 2	AFQ40110	1	
4	Rubber sheet	AFQ40143	1	
5	Hex. socket head bolt	XVE4C15FPS	1	M4×15(W,SW)
6	Saddle	AFS40017	1	
7	UA body	ADA10066	1	
8	Hex. socket head bolt	XVE6C50FPS	10	M6×50(Die stat:DS1H6)
9	Hex. socket head bolt	XVE5C15FPS	1	M5×15(SW)
10	Motor collar 082	AFM40262	1	
11	Harmonic reduction gear	HF40G0MR41R	1	
12	V-ring	V32A	1	
13	RT base	ADA10068	1	
14	O-ring	S105	1	
15	RT motor plate	AFP30079	1	
16	Hex. socket head bolt	XVE6C40FPS	8	M6×40(CW)
17	Hex. socket head bolt	XVE6C30FPS	8	M6×30(CW)
18	O-ring	S70	(1)	Included in servo motor.
19	Servo motor	TS4513N8070	1	Previous part No.: TS4513N8035
20	Hex. socket head bolt	XVE6C15FPS	4	M6×15 (CW)
21	Key	5×5×25 (Round at one side)	(1)	Included in servo motor.
22	Radiation sheet 1	AFQ40144	1	
23	Packing 1	AFQ30021	1	
24	RT bottom cover	ADK30102	1	
25	Screw	XYN4+F10S	8	M4×10
26	Hex. socket head bolt	XVE4C10FPS	2	M4×10 (SW,PW)
27	Hex. socket head bolt	XVE4C20FPS	2	M4×20
28	Limit switch ass'y	AEB30001	1	
29	LS plate	ASK40019	1	
30	Cable ground	151U9	1	
31	Screw	XYN4+F10S	1	M4×10
32	Screw	XYN4+F10S	4	M4×10
33	RT power cover	ADK30103	1	
34	Brake card	ZUEP5584	1	
35	Insulation sheet	AZS41014	1	
36	Nylon rivet	P2040	4	
37	Brake SW	A165AWM2	2	+SW cover (A3BA5060)
38	Brake SW	A165AYM2	1	+SW cover (A3BA5060)
39	End cap	514/11	1	
40	Bucklehead union	PMF8-02	1	

## CONFIGURLLATION

(2/2)

No.	Part name	Part number	Q'ty	Remarks
41	O-ring support	AGP40016	1	
42	O-ring	S16	1	
43	Union swivel end	VC14×15	1	
44	Screw	XYN4+F15S	1	M4×15(SW, PW)
45	Screw	XYN4+F10S	2	M4×10
46	Nylon clamp	NK9N	2	
47	Lithium battery	ER6VCT	2	
48	P.C. Board cover	AGK40007	1	
49	P.C. Board support	SBB415	4	
50	RE power card	ZUEP5461	1	
51	P.C. Board support	SBB410	4	
52	Connector plate	AWC*****	(1)	Swiveling harness set
53	Screw	XYN4+F10S	2	M4×10
54	Saddle	SP30	1	
55	Packing 5	AFQ32003	1	
56	Screw	XYN4+F15S	8	M4×15